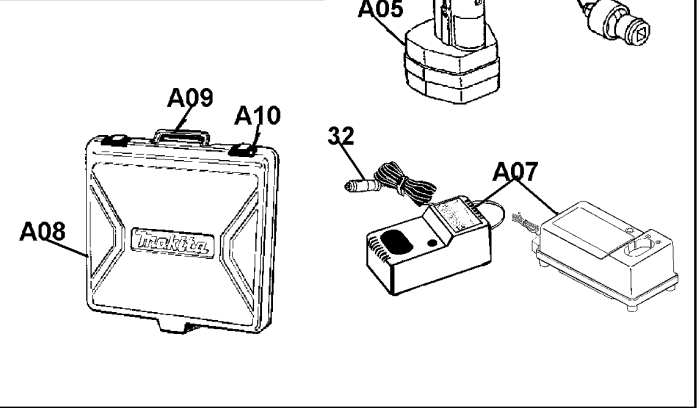
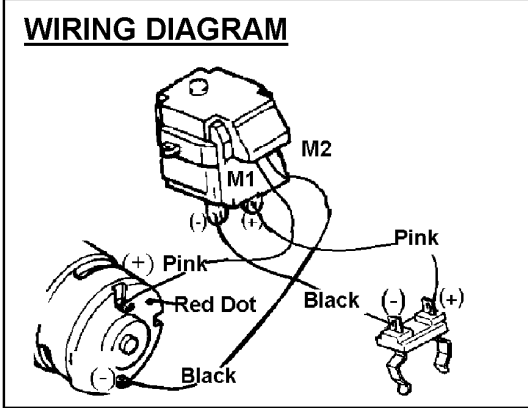
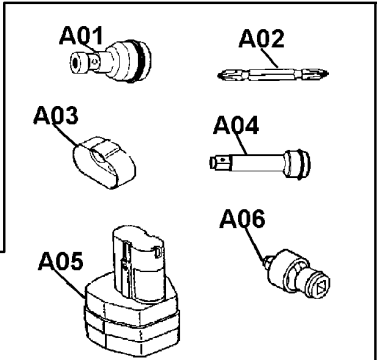
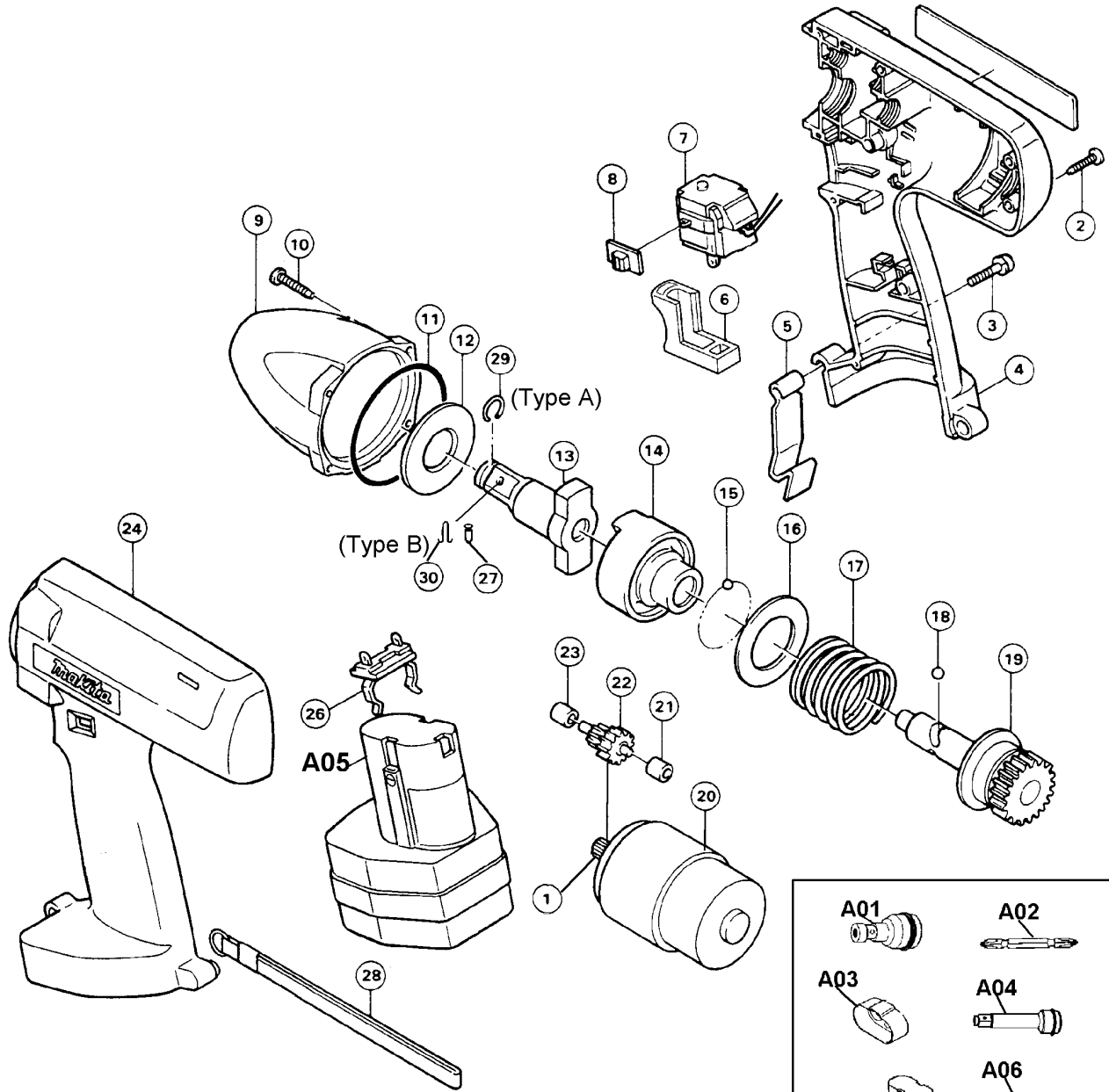




Model 6911HDW*
Model 6911HDWA



Item No.	Part No.	No. Used	Description	Item No.	Part No.	No. Used	Description
1	226404-0	1	Helical Gear 15	A03	414938-7	1	Battery Cover
2	265925-7	6	Tapping Screw BT4x20	A04	785201-8	1	Extension Bar 12.7
3	911138-5	1	P.H. Screw M4x20				
4	182532-0	1	Housing Set (Old 415056-4)	A05	192271-4	1	Battery 1200
5	343579-1	1	Set Plate		192296-8	1	High Capacity Battery 1201
6	415671-4	1	Switch Lever		192407-5	1	High Capacity Power Display Battery 1201A
7	651967-1	1	Switch (Old 651909-5)		192598-2	1	Super High Capacity Battery 1222
8	414740-8	1	Lever				
9	152411-6	1	Hammer Case Com.				
10	265925-7	4	Tapping Screw BT4x20				
11	213604-1	1	O Ring 50	A06	134877-2	1	Universal Joint ½" (Large)
12	267054-2	1	Flat Washer 18		134878-0	1	Universal Joint 12.7 Assy (Small) (Old 134542-3)
13	322593-0	1	Anvil				
14	322527-3	1	Hammer				
15	216001-0	29	Steel Ball 3.5	A07	113126C303	1	High Capacity Tri Voltage Charger (For Normal & High Capacity Battery) (DC1201A)(7.2V, 9.6V, & 12V)
16	267088-5	1	Flat Washer 28				
17	233045-5	1	Compression Spring 30				
18	216011-7	2	Steel Ball 5.6		DC1411	1	Charger DC1411 for 7.2V ~ 14.4V & 1.3Ah ~ 3.0Ah Batteries
19	153216-7	1	Spindle Com.		CAADC1412	1	Automotive Charger for 7.2V ~14.4V 14.4V & 1.3Ah ~ 2.0Ah Batteries (Includes Item 31)
20	629638-8	1	DC Motor 12V				
21	214027-6	1	Plane Bearing 4				
22	226115-7	1	Gear Com. 10-38				
23	214027-6	1	Plane Bearing 4				
24	182532-0	1	Housing Set (Old 415057-2)	A08	824399-A	1	Plastic Carrying Case [With Items A09 & A10(A00188-3)]
26	643924-3	1	Battery Holder		824620-4	1	MJ Carrying Case (6911DWA) (With Slide Latch - 182935-8) (Old 824399-7)
27	323675-1	1	Pin 4 (For Type B Anvil)				
28	163319-9	1	Hand Strap				
29	231907-1	1	Ring Spring 10(For Type A Anvil)				
30	322045-1	1	Clip (For Type B Anvil)				
32	655000-B	1	Plug for Cigarette Lighter	A09	A00181-7	1	Black Plastic Handle
Accessories							
A01	134873-0	1	Bit Adaptor Assy (Old 134530-0)	A10	A00188-3	2	Snap Lock (Use with 824399-A)
A02	-----	1	Bit (See Catalogue for Details)		182935-8	2	Slide Latch (2pcs/Set) (Use with Carrying Case # - 824620-4)